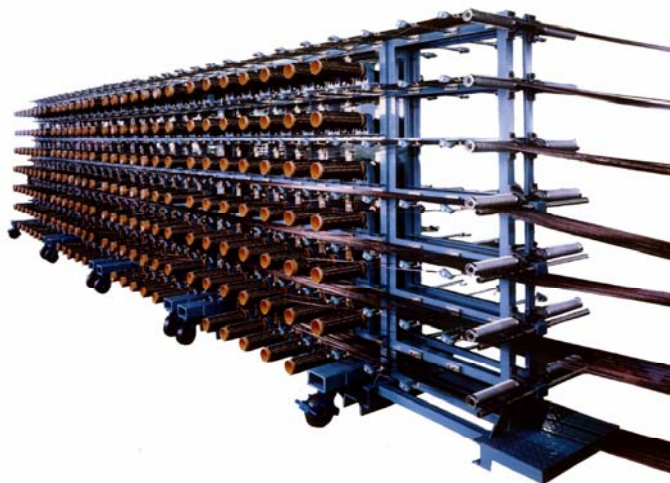


# CF-S2 Tensioning Creel System

## Features

- **Low cost / Large scale** creel version
- Unwinding type mechanical tension control
- Unique compensation mechanism maintains constant and stable unwinding tension regardless of the package diameter
- NO contact with the fiber = NO damage to fiber
- Maintenance free mechanical system
- Supplied as complete creel, or tensioning component only to mount to an existing frame
- Easy creel and doff bobbin holders



## Applications and Fiber Types

- For unwinding type pay-off, large scale creels (1000 positions or more)
- Weaving creels, warp knitting, warping
- Carbon fiber (PAN and pitch), aramid fibers, glass fibers (on cores), monofilaments

## Specifications

Tension Range <small>* See next page for details</small>	Model CF-S2: 130 (grams) (+/- 15gram adjustability) / 250mm(10") traverse 80 (grams) (+/- 15gram adjustability) / 150mm(6") traverse Can also be configured for both 250mm(10") and 150mm (6") simultaneously.
Speed Range	0 (m/min) to 25 (m/min)
Compatible Package Sizes	74mm (3") ID core x 150mm (6") to 250mm (10") traverse Other sizes available upon request
Max Package Diameter	180mm
Creel Framework	Type-1: Steel welded construction: Maximum cost effectiveness Type-2: Steel bolted construction: For compact shipping Standard and custom configurations available
Optional Items	Fiber breakage sensors Ceramic eyelet or pigtail guides Mobile creel on casters Creel outlet combs and redirect rollers
Mounting	CF-S2 tensioning component can be purchased for mounting to existing framework. See next page for mounting dimensions and requirements.

Please contact Izumi International, Inc. for special requirements

## Tension Characteristics

Chart shows tension ranges when the CF-S2 is creeled with a 250mm and 150mm traverse package.

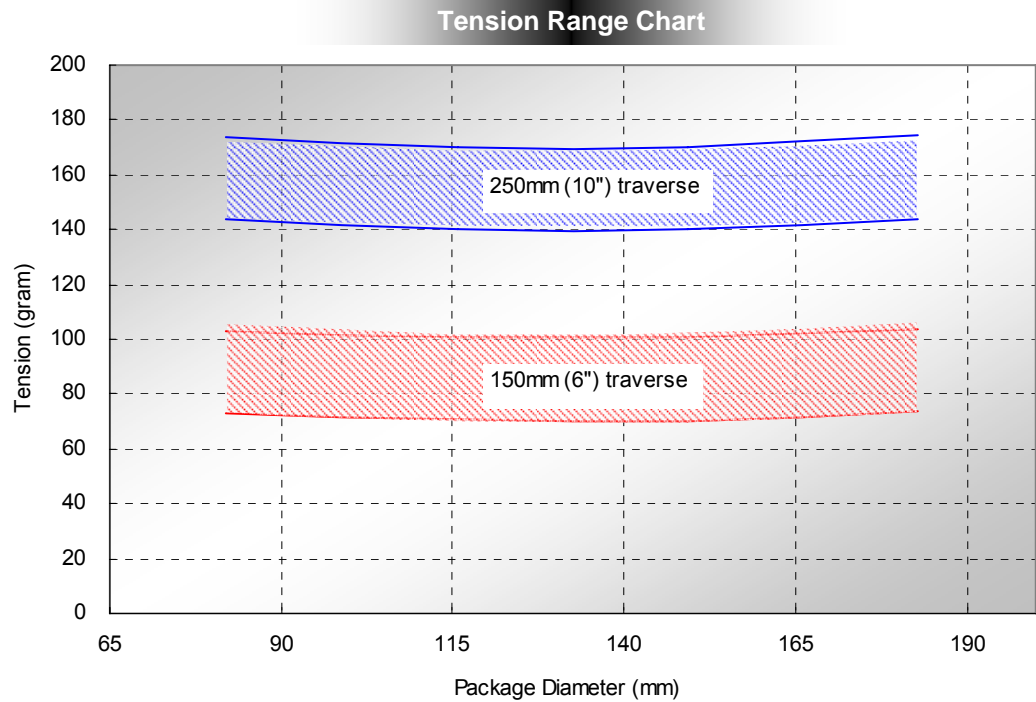
250mm(10"): BLUE  
150mm(6"): RED

Once set at desired level, tension is maintained throughout the diameter of the package.

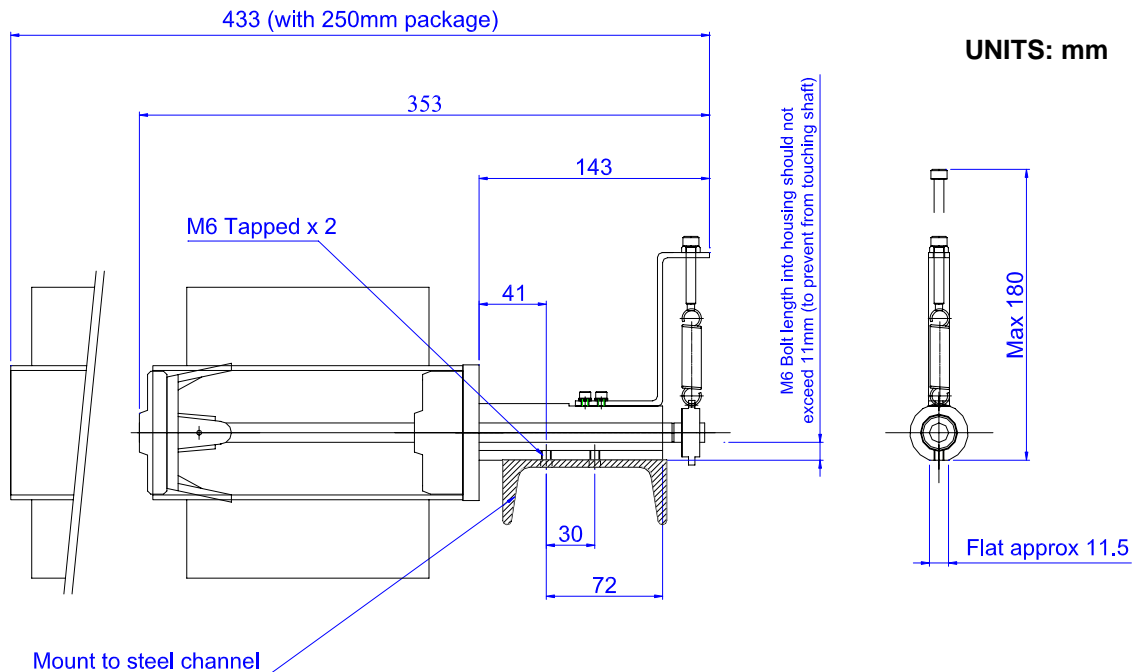
Tension characteristics shown are based on the following:

- Package density 1.0 gram/cm<sup>3</sup>

The CF-S2 can alternatively be set to handle the 250mm / 150mm traverse package simultaneously. Please contact IZUMI for a tension chart on this configuration.



## Mounting Dimensions



Drawing above shows mounting details for CF-S2 tensioning device. This unit can be purchased independently, to mount to existing framework. Contact IZUMI for dxf drawing or detailed dimensions.