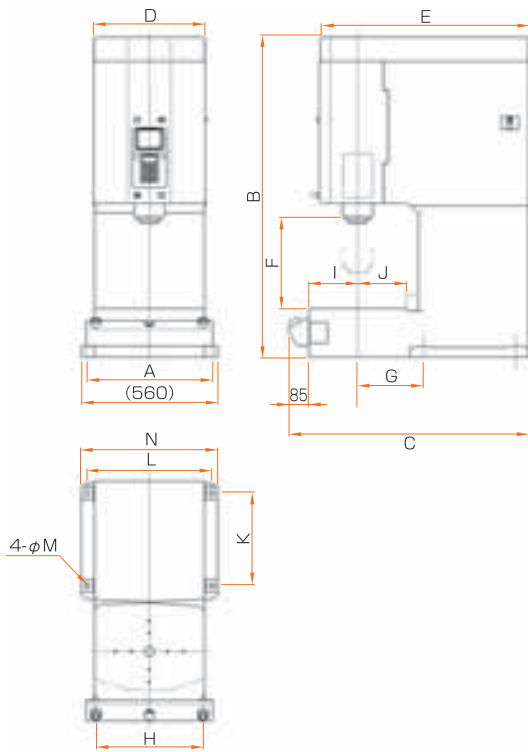


# JP Series 4 Electro Press

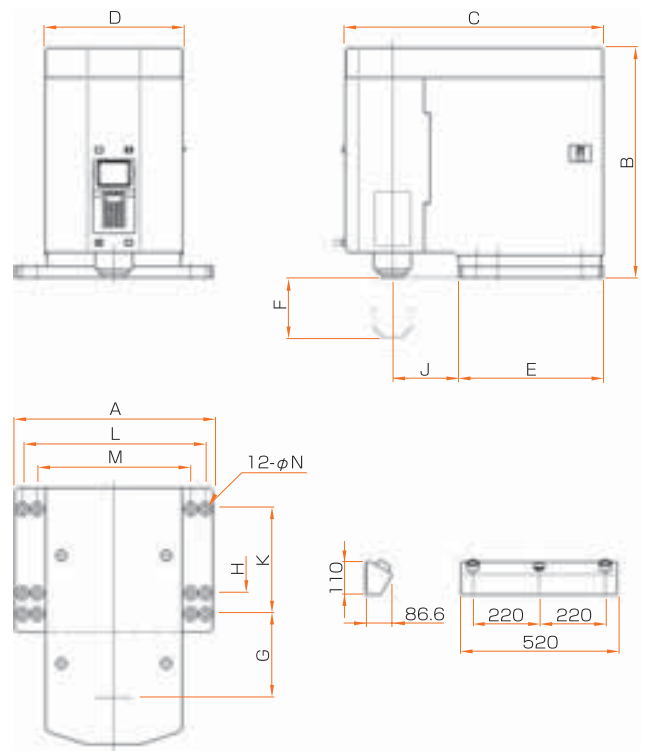
## 1.5KN·30KN·50KN·80KN

### External Dimensions

#### Stand-Alone type

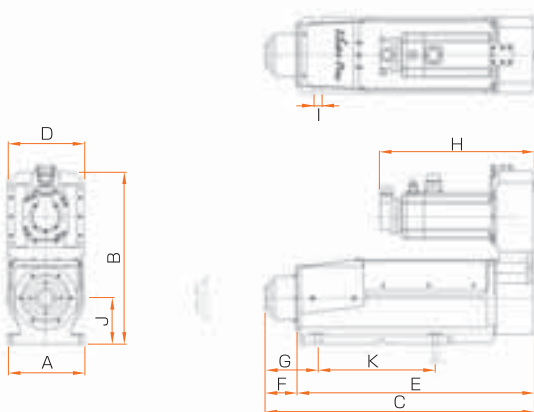


#### Head type

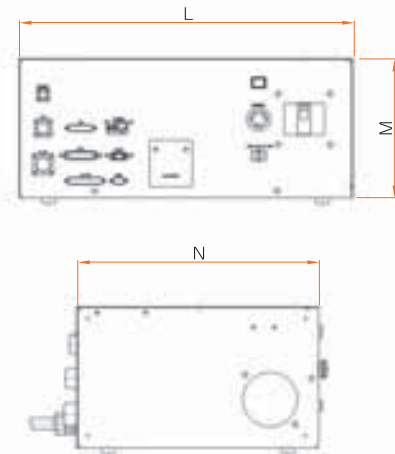


#### Unit type

##### Body



##### Control Box



Stand-Alone	A	B	C	D	E	F	G	H	I	J	K	L	M	N
JP-1504	520	875	585	200	555	275	160	325	115	130	185	230	12	—
JP-3004	560	1,315	985	458	858	350	270	450	200	200	380	510	22	560
JP-5004														
JP-8004	—	—	—	—	—	—	—	—	—	—	—	—	—	—

Head type	A	B	C	D	E	F	G	H	I	J	K	L	M	N
JPH-1504	280	495	505	200	280	30	120	41	—	100	180	240	—	18
JPH-3004	660	765	858	458	480	200	280	70	—	220	350	610	510	26
JPH-5004														
JPH-8004	—	—	—	—	—	—	—	—	—	—	—	—	—	—

Unit type	A	B	C	D	E	F	G	H	I	J	K	L	M	N
JPU-1504	146	260	495	125	445	50	80	(269)	13	75	200	398	198	280
JPU-3004								(403)						
JPU-5004	220	510	775	220	685	90	150	(444)	18	132	340	550	230	398
JPU-8004	270													

## JP Series 4 Specifications

Model		JP-1504 Series	JP-3004 Series	JP-5004 Series	JP-8004 Series
Pressing Capacity	Maximum	15KN (1.5t)	30KN (3t)	50KN (5t)	80KN (8t)
	Allowable Range	1.5~15KN	3~30KN	5~50KN	8~80KN
	Increments	1N	10N	10N	10N
	Minimum Sensing Capacity*1	0.2 % of maximum pressure capacity			
Ram Stroke	Maximum	100mm	200mm	200mm	200mm
	Allowable Range	0~100mm	0~200mm	0~200mm	0~200mm
	Increments	0.001mm	0.002mm	0.002mm	0.002mm
Ram Speed	Approaching	100mm/sec	300mm/sec	300mm/sec	200mm/sec
	Pressing	0.01~20mm/sec	0.01~35mm/sec	0.01~35mm/sec	0.01~35mm/sec
	Increments	0.01mm/sec	0.01mm/sec	0.01mm/sec	0.01mm/sec
Holding Time	Maximum *2	999sec	999sec	999sec	999sec
	Allowable Range	0~999sec	0~999sec	0~999sec	0~999sec
	Increments	0.1sec	0.1sec	0.1sec	0.1sec
Repeatability *3		±0.005mm	±0.005mm	±0.005mm	±0.005mm
Load Sensing Range		1.5~15KN	3~30KN	5~50KN	8~80KN
Sensor Functions	Const-Speed / Set Stop Position	(1) Load, position, distance control at end pressing (2) Load control for sensor position (3) Sampling load control for sensor position and distance range (Sampling types: peak, top, bottom, valley, peak to peak, differential)			
	Const-Speed / Set Stop Load				
	Const-Speed / Set Dist. Mode				
	Const-Load / Time Presser	A combination of the above 3 pressing modes.			
	Const-Load / Set Stop Position				
	Const-Load / Set Dist. Mode				
Multiple-Section Pressing					
Screen Display	Unit of Measure/Pressure	N ⇔ Kgf ⇔ Lbf mm ⇔ in			
	Display Language	English, Japanese, Spanish, Italian, French, German			
Main Program Supplied		Installed before shipment. To upgrade the program, download from PC to the internal flash ROM using COM1.			
External Interface *4, *5		RS-232C 1ch (9-pin male connector to control the press via PC using optional software)			
External I/O Terminal Number		17 inputs, 16 outputs (Optional increase to 25 inputs, 24 outputs)			
Driving and Control Method		AC servomotor driven by 32-bit CPU			
Power Supply	Tree-Phase	180~250V (Domestic standard)	180~250V	180~250V	180~250V
	Single-Phase	180~250V	—	—	—
Power Capacity		850VA	3.1KVA	5.1KVA	5.1KVA
Maximum Jig Weight on the Ram		150N	900N	1,500N	1,500N
Ambient Temperature *6		0~40°C			
Relative Humidity *6		20~90% Non-condensing			
Flotage Dust *6		Nil			
Corrosive Gas *6		Nil			
Dimensions and Weight	Stand-Alone Type	W520 X D580 X H875mm	W560 X D985 X H1,315mm	W560 X D985 X H1,315mm	—
	JP	160Kg	1,050Kg	1,050Kg	—
	Head Type	W280 X D505 X H495mm	W660 X D858 X H765mm	W660 X D858 X H765mm	—
	JPH	100Kg	650Kg	650Kg	—
	Unit Type*7	W146 X D495 X H260mm	W220 X D775 X H510mm	W220 X D775 X H510mm	W270 X D775 X H510mm
	JPU	35Kg	35Kg	160Kg	160Kg
	Control Box	W398 X D280 X H198mm	W550 X D398 X H230mm	W550 X D398 X H230mm	W550 X D398 X H230mm
	JPB	13Kg	40Kg	40Kg	40Kg

\*1 Load display accuracy is ±1 % and guaranteed within the above ranges, over 10 % of the maximum pressure capacity.

(Load value should be regularly checked and calibrated.)

\*2 The holding time becomes shorter as the maximum pressure increases due to motor capacity.

\*3 Repeatability was measured at a constant temperature.

\*4 Encoder output interface is available as an option. Useful when it is necessary to send position information to an external device in real time.

\*5 Choose between side surface fixing (standard) and flange vertical fixing (optional) installation of the unit type.

\*6 IP Protection Rating is IP40.

\*7 Choose between side surface fixing (standard) or flange vertical fixing (optional) for installation of the unit type.

What is included in the package:

**Stand-Alone Type:** Machine (with I/O-S connector and I/O connector\*\*), Operation manual (on CD-ROM).

**Head Type:** Machine (with I/O-S connector and I/O connector\*\*), Switch box (with a 2m-cable), I/O cable (3m), Operation manuals (on CD-ROM).

**Unit Type:** Machine, Control box (with I/O-S connector, I/O connector\*\* and Switch box short connector), Teaching pendant (with a 2m-cable)

2 Connection cables for connecting the body and control box (3m), Operation manuals (on CD-ROM), Teaching pendant short connector.

**Optional Devices:** Switch box for the unit type (with a 2m-cable)

PC software for results data collecting and teaching data control runs on Windows®2000/XP (Windows® is a registered trademark of Microsoft Corporation).

\*\* The I/O connector does not include cables.

●All patents granted in Japan and the U.S.A. ●Specifications may be changed due to product upgrades without prior notice.

☆ All products are displayed in our showrooms. Please contact us if you are interested in seeing them.

2005.08 (S) 3,000

# JANOME

Janome Sewing Machine Co., Ltd.

Industrial Automation Systems Division

1463 Hazama-cho, Hachioji-shi, Tokyo 193-0941 JAPAN

Tel : +81 426 61 6301, Fax: +81 426 61 6302

U R L : <http://www.janome.co.jp/industrial.html>

E-mail : [j-industry@gm.janome.co.jp](mailto:j-industry@gm.janome.co.jp)

Business Line: Electro Press, Desktop Robot, SCARA Robot, Vacuum Casting, etc.

Distributor:



Izumi International, Inc.

1 Pelham Davis Circle, Greenville, SC 29615 USA

Tel: 864-288-8001 Fax: 864-288-7272

E-mail: [us-sales@izumiinternational.com](mailto:us-sales@izumiinternational.com)

Web: [www.izumiinternational.com](http://www.izumiinternational.com)