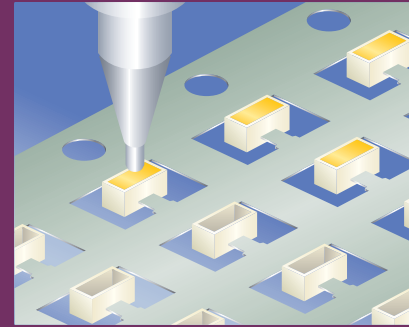


MEASURING MASTER[®]

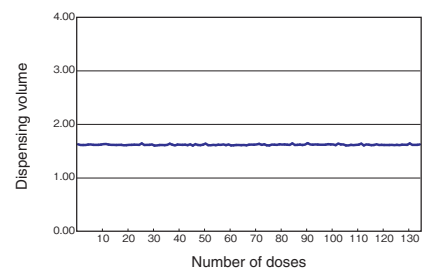
MPP-1



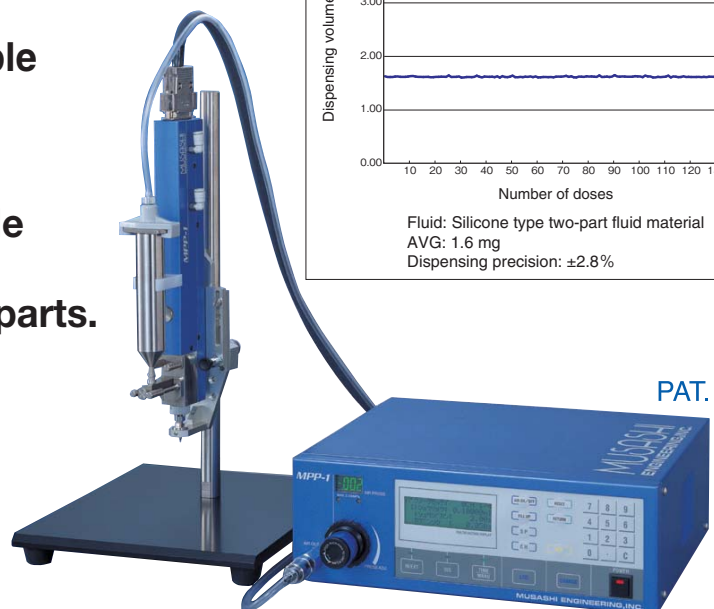
Precisely constant volume dispensing of fluids with changeable viscosity

- High-speed dispensing of fluids with from low viscosity to high viscosity.
- Dispensing volume adjustable in volume or weight.
- Fluid replacement executable without any tool and simple maintenance fluid-exposed parts.

Dispensing volume accuracy of silicone type material with use of MEASURING MASTER



Fluid: Silicone type two-part fluid material
AVG: 1.6 mg
Dispensing precision: $\pm 2.8\%$



MPP-1

SPECIFICATIONS

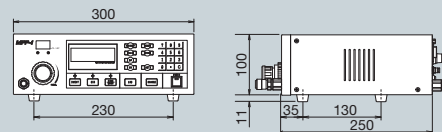
Item name	Volume measuring type digital dispenser MEASURING MASTER		
Model	MPP-1		
Dispensing method	Volume measuring type		
Control method	Microcomputer digital control type		
Pump capacity	Standard type	0.15mL	Select any one of them
	B1 type	0.15mL	
		0.30mL	
		0.65mL	
Fluid supply pressure range	0.001 to 0.500MPa		
Compatible syringes	MUSASHI's syringe (1 to 70mL) Fluid can be supplied from a cartridge or a tank		
Number of channels	400 channels		
Power supply	100 to 240VAC		
Power consumption	25W		
External dimensions	Controller section: W300 x D250 x H111mm (excluding protrusion)		
	Head section: W25 x D86.5 x H320mm (excluding protrusion)		
Weight	Controller section: approx. 4.5kg		
	Head section: approx. 850g (excluding syringe and fluid)		

Example of desktop robot system

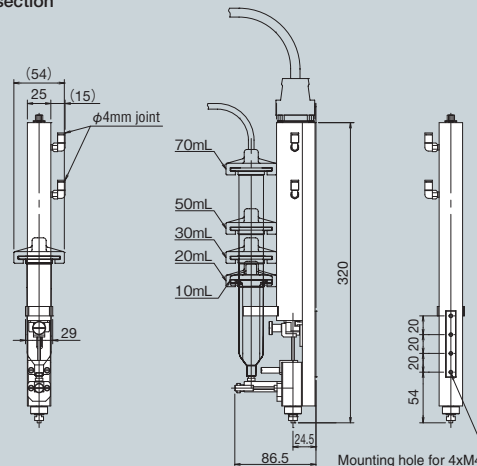


DIMENSIONS

Controller section



Head section



Safety precaution
Make sure to read the instruction manual before you use the unit, for your safety.

* We reserve the right to change the specifications without notice.
* All copyrights are retained by MUSASHI ENGINEERING. Reprinting, reproducing, and/or transmitting as electronic data in whole or in part these material without prior written permission is strictly prohibited.

MUSASHI ENGINEERING, INC. is certified and registered according to ISO14001 ENVIRONMENTAL MANAGEMENT.



World Leading Dispenser
MUSASHI ENGINEERING, INC.

SINGAPORE BRANCH 20 Bendemeer Road, #06-13 CyberHub Singapore 339914
TEL : (65)6258-2422 / FAX : (65)6258-4844

MUSASHI ENGINEERING (THAILAND) CO., LTD. No.12 Soi Bangna-Trad 25, Bangna, Bangna, Bangkok 10260 Thailand
TEL : (66)2-769-5708 / FAX : (66)2-769-5450

INDONESIA BRANCH Jl. MH. Thamrin, Robson Square, Block A-15, Lippo Cikarang, Bekasi 17550, Jawa Barat, Indonesia
TEL : (62)21 8990 5005/ FAX : (62)21 8990 5004

MUSASHI ENGINEERING EUROPE GMBH Leopoldstrasse 244, 1.Stock 80807 Munich Germany
TEL : (49)89 208039 470 / FAX : (49)89 208039 478

MUSASHI ENGINEERING KOREA., LTD. 902 No. 9 F. #C, Korea Bio Park. 694-1 Sampyeong-dong, Bundang-gu, Seongnam-si, Gyeonggi-do 463-400 , Korea
TEL : (82)31-702-3811 / FAX : (82)31-702-3881

TAIWAN BRANCH 8F-2, No. 158, Sec. 2, Gongdao 5th Road, Hsinchu, Taiwan 30070
TEL : (886)3-572-9200 / FAX : (886)3-572-9300

HEAD OFFICE
8-7-4, Shimorenjaku, Mitaka, Tokyo, 181-0013, Japan TEL : (81)422-76-7111 / FAX : (81)422-76-7122
BRANCH
TOKYO, OSAKA, NAGOYA, SENDAI, FUKUOKA, SAITAMA, NAGANO, EAST-KANTO, AKITA

<http://www.musashi-engineering.co.jp/english/>

US Integrator and representative



Izumi International, Inc.
1 Pelham Davis Circle, Greenville, SC 29615 USA
Tel: 864-288-8001 Fax: 864-288-7272
E-mail: us-sales@izumiinternational.com
Web: www.izumiinternational.com